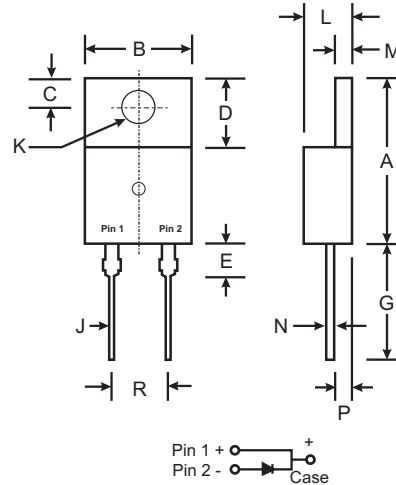


Features

- Schottky Barrier Chip
- Guard Ring Die Construction for Transient Protection
- Low Power Loss, High Efficiency
- High Surge Capability
- High Current Capability and Low Forward Voltage Drop
- For Use in Low Voltage, High Frequency Inverters, Free Wheeling, and Polarity Protection Application
- **Lead Free Finish, RoHS Compliant (Note 4)**

Mechanical Data

- Case: TO-220AC
- Case Material: Molded Plastic. UL Flammability Classification Rating 94V-0
- Moisture Sensitivity: Level 1 per J-STD-020C
- Terminals: Finish – Bright Tin. Solderable per MIL-STD-202, Method 208
- Polarity: See Diagram
- Marking: Type Number
- Weight: 2.3 grams (approx.)



TO-220AC		
Dim	Min	Max
A	14.48	15.75
B	10.00	10.40
C	2.54	3.43
D	5.90	6.40
E	2.80	3.93
G	12.70	14.27
J	0.69	0.93
K	3.54	3.78
L	4.07	4.82
M	1.15	1.39
N	0.30	0.50
P	2.04	2.79
R	4.83	5.33
All Dimensions in mm		

Maximum Ratings and Electrical Characteristics @ T_A = 25°C unless otherwise specified

Single phase, half wave, 60Hz, resistive or inductive load.
For capacitive load, derate current by 20%.

Characteristic	Symbol	MBR 730	MBR 735	MBR 740	MBR 745	MBR 750	MBR 760	Unit
Peak Repetitive Reverse Voltage Working Peak Reverse Voltage DC Blocking Voltage	V _{RRM} V _{RWM} V _R	30	35	40	45	50	60	V
RMS Reverse Voltage	V _{R(RMS)}	21	24.5	28	31.5	35	42	V
Average Rectified Output Current (Note 1) @ T _C = 125°C	I _O	7.5						A
Non-Repetitive Peak Forward Surge Current 8.3ms single half sine-wave superimposed on rated load (JEDEC Method)	I _{FSM}	150						A
Forward Voltage Drop (Note 3) @ I _F = 7.5A, T _J = 25°C @ I _F = 7.5A, T _J = 125°C @ I _F = 15A, T _J = 25°C @ I _F = 15A, T _J = 125°C	V _{FM}	— 0.57 0.84 0.72				0.75 0.65 — —		V
Peak Reverse Current at Rated DC Blocking Voltage @ T _J = 25°C @ T _J = 125°C	I _{RM}	0.1 15				0.5 50		mA
Typical Total Capacitance (Note 2)	C _T	400						pF
Typical Thermal Resistance Junction to Case (Note 1)	R _{θJc}	3.5						°C/W
Voltage Rate of Change (Rated V _R)	dV/dt	10,000						V/μs
Operating Temperature Range	T _J	-55 to +150						°C
Storage Temperature Range	T _{STG}	-55 to +175						°C

- Notes:
1. Thermal resistance junction to case mounted on heatsink.
 2. Measured at 1.0 MHz and applied reverse voltage of 4.0V DC.
 3. Short duration test pulse used to minimize self-heating effect.
 4. RoHS revision 13.2.2003. Glass and High Temperature Solder Exemptions Applied, see *EU Directive Annex Notes 5 and 7*.

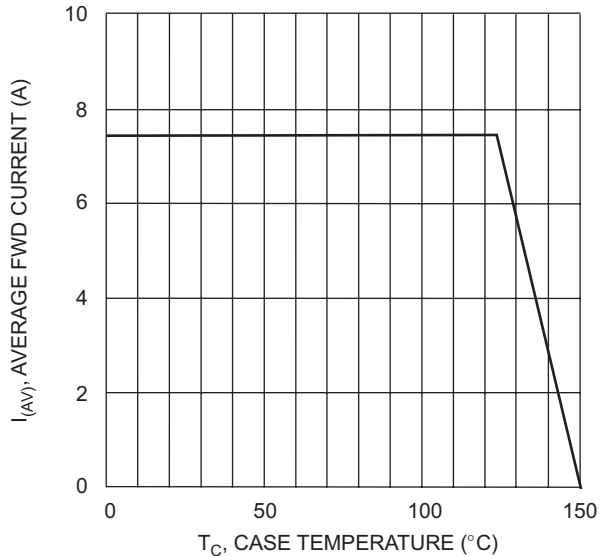


Fig. 1 Fwd Current Derating Curve

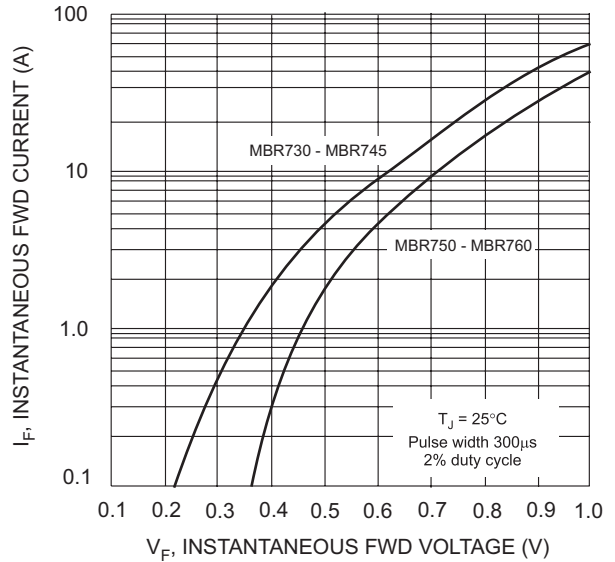


Fig. 2 Typ Instantaneous Fwd Characteristics

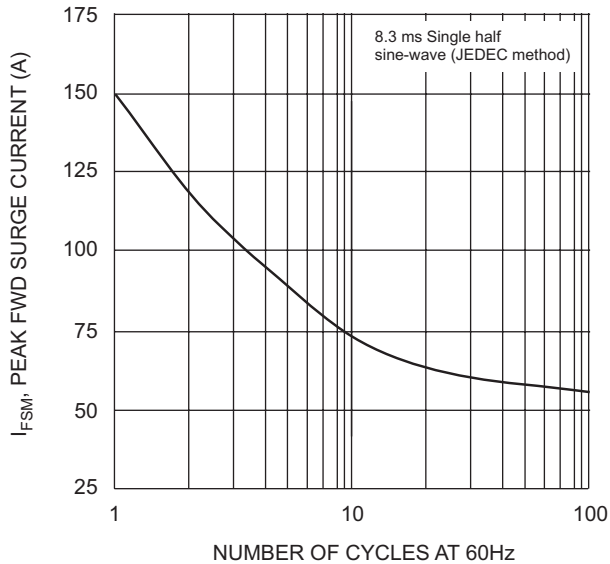


Fig. 3 Max Non-Repetitive Surge Current

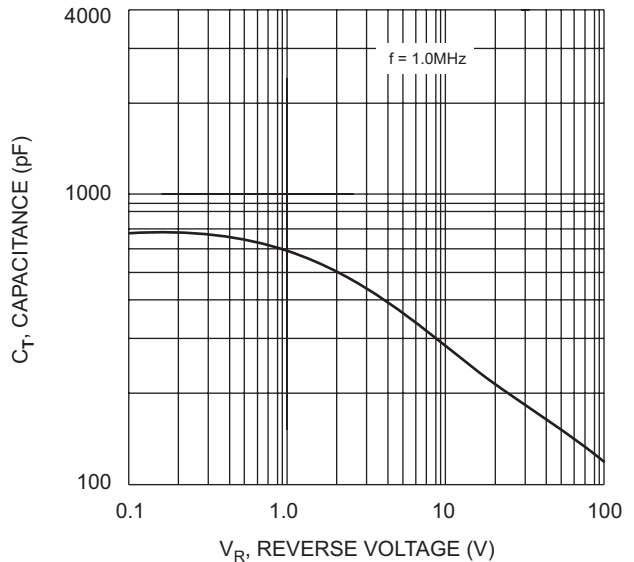


Fig. 4 Typical Total Capacitance

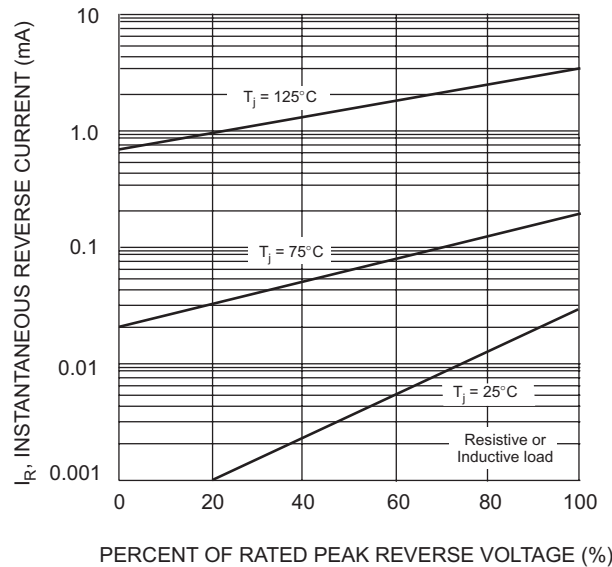


Fig. 5 Typical Reverse Characteristics

Ordering Information (Note 5)

Device	Packaging	Shipping
MBR7xx*	TO-220AC	50/Tube

* xx = Device type, e.g. MBR745

Notes: 5. For Packaging Details, go to our website at <http://www.diodes.com/datasheets/ap02007.pdf>.